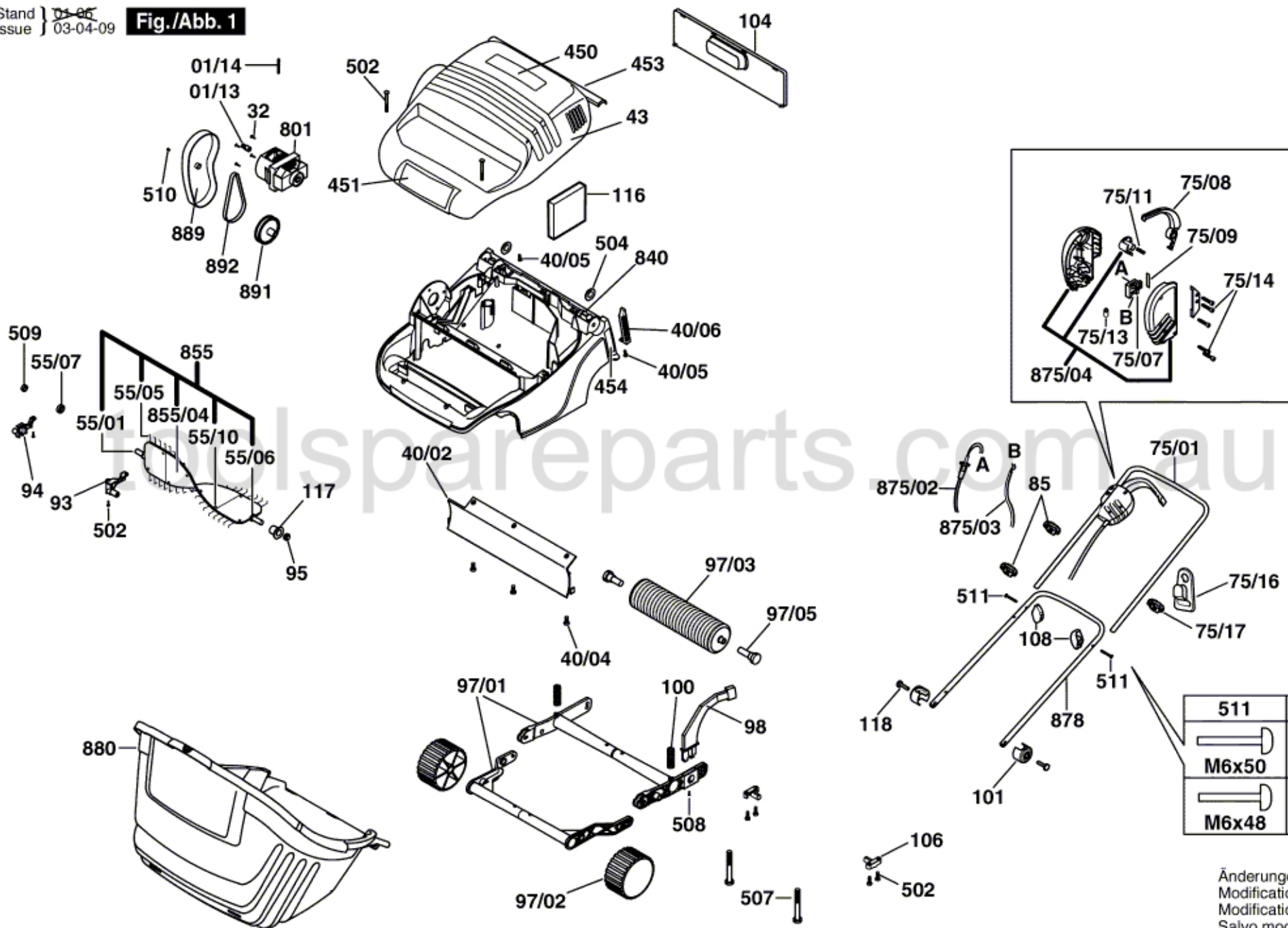


Fig./Abb. 1



511	75/01
M6x50	Ø21mm
M6x48	Ø18mm

Änderungen vorbehalten
 Modifications reserved
 Modifications reserves
 Salvo modificaciones